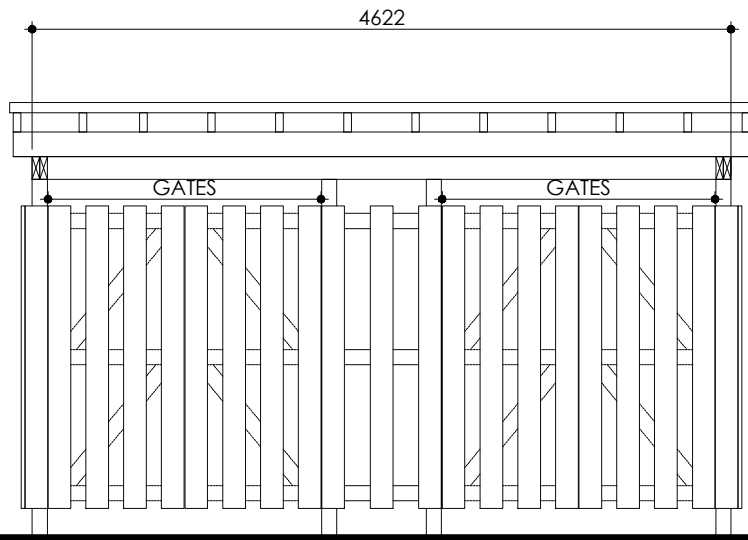
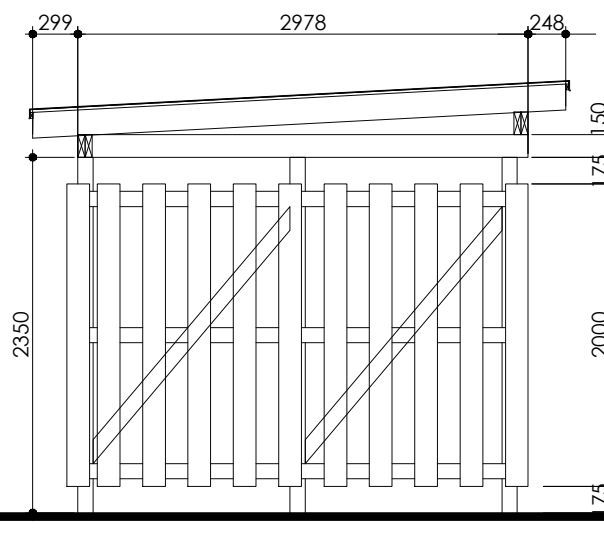


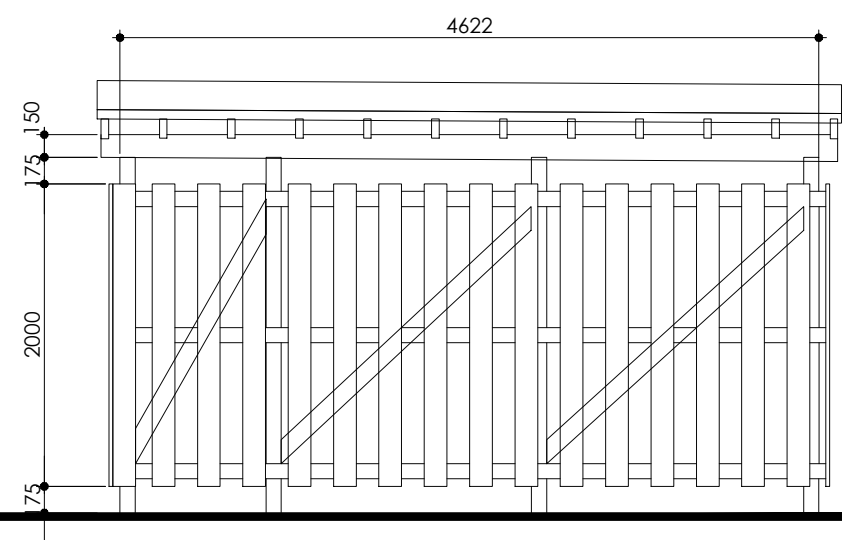
IMPORTANT NOTE:
 ALL DIMENSIONS AND LEVELS SHOWN ON THIS DRAWING ARE TO BE CHECKED BY THE CONTRACTOR/ MANUFACTURER PRIOR TO THE COMMENCEMENT OF ANY WORKS ON SITE OR THE MANUFACTURE OF ANY SITE COMPONENTS.
 THIS DRAWING IS NOT TO BE SCALED.
 DIMENSIONS ARE INDICATED IN MILLIMETRES UNLESS CLEARLY STATED OTHERWISE.
 COPYRIGHT OF THIS DRAWING BELONGS SOLELY TO BALDWIN DESIGN CONSULTANCY LTD.



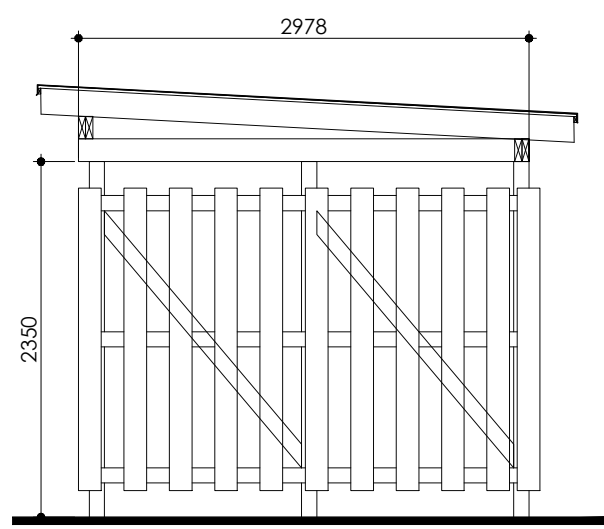
Front Elevation



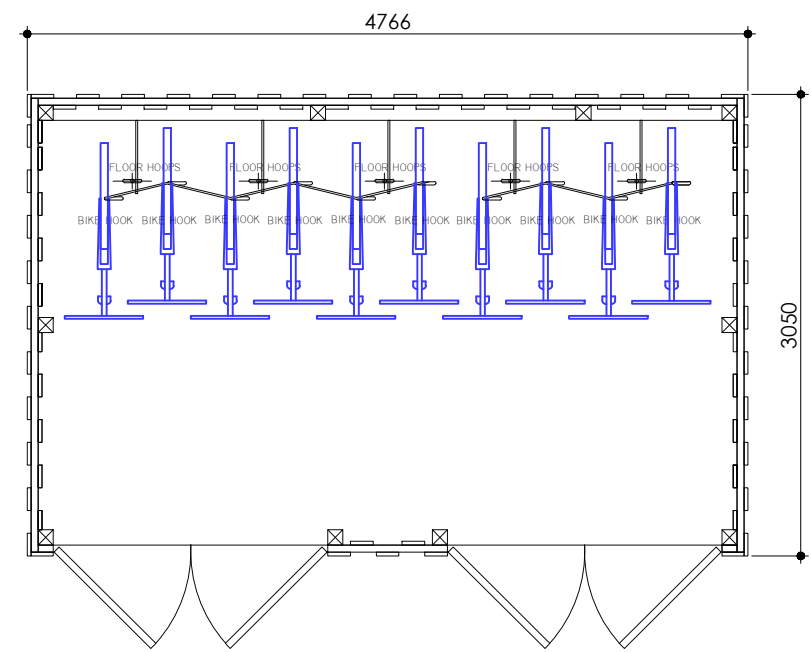
Side Elevation



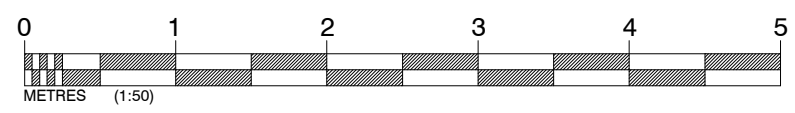
Rear Elevation



Side Elevation



Floor Plan



Revision:	By:	Date:

PLANNING ISSUE

baldwin DESIGN CONSULTANCY LTD	e-mail: enquiries@baldwindesign.net www.baldwindesign.net	Client: 
	Project Title: RESIDENTIAL DEVELOPMENT	Address: Dinting Vale, Glossop
Drawing Title: Apartment Cycle Store Details	Drawing No: WH/DV/CS/02	Dwn: AB
Scale: 1:50	Date: 20/07/2023	Ckd: GB
Paper Size: A3	Rev:	Tel: 01925 747615