

Apollo LED Road lantern

An outstanding high performance LED fitting, suitable for a wide range of applications including road, open area and amenity.

Abacus[®]
Leaders in Lighting

Modular Design

- Easy assembly and maintenance;
- Replaceable and upgradeable;
- Excellent thermal management.

Mechanical Structure

Independent led driver compartment with Philips Xitanium led electronic driver(s) built in.

Mounting Interface

- Adaptive for almost all the arm outer diameters.
- Adjustable tenon meet the post/pole top mounting need.

Optics & photometrics

Unique optics solution optimizes the light distribution to comply with road lighting standards.

Leds

- High reliability and performance powered by the best LED light source supplier;
- LM-80 compliant;
- 100,000 life time to 70% lumen maintenance.

Photosensing

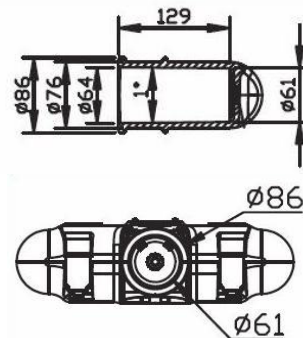
Available interface for the NEMA photoelectric control unit (PECU).

Power Supply

- Worldwide certified
- Universal input voltage and frequency

PRODUCT FEATURES

- 4 Optics available for tailored performance (A3 Type 3 Long as standard)
- Modular designed LEDs for easy maintenance
- Utilising CREE LED's as standard or Lumiled LED's as an option
- Philips drivers (Xitanium), dimming available as an option 1:10 and Dali
- Adjustable mounting bracket to allow for luminaire elevation for both bracket or post mounting solutions
- Post top and side mounted spigot entry positions 60mm and 40mm with adaptor accessory please state at time of quoting and ordering
- Independent LED driver compartment
- NEMA Photoelectric interface option available
- CE and UL Certified
- 5 year Warranty for luminaire body, LED modules and driver



Spigot size 60mm, 40mm with adapter accessory

In Association with:
KINGSUN

Data Sheet

PRODUCT CODE DEFINITION

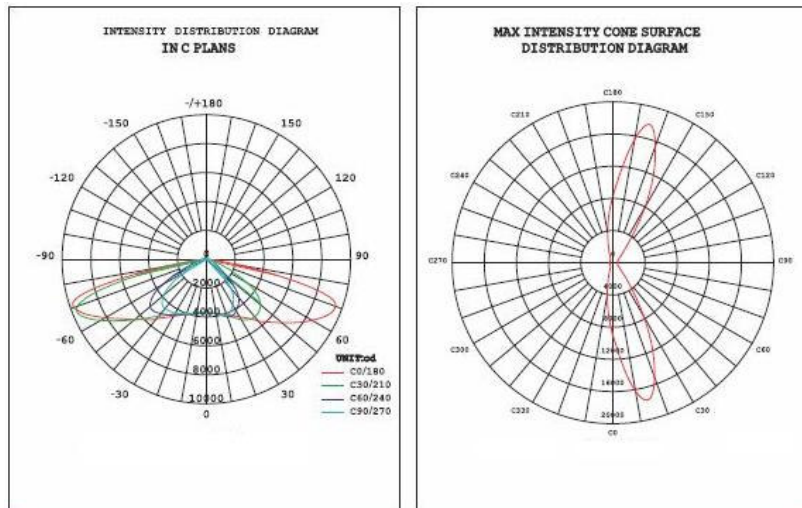
AL6666 / **xxx** / **xK** / **xxxx** / **xx**

}
}
}
}
}

1
2
3
4
5

- | | |
|--|---|
| <ol style="list-style-type: none"> 1. Series Code 2. Power System (Wattage) 3. Colour Temperature <ul style="list-style-type: none"> • 5K – 5000K (as standard) • 4K – 4000K • 3K – 3000K | <ol style="list-style-type: none"> 4. Optical Distribution Type <ul style="list-style-type: none"> • A3 – Type 3 Long (as standard) • A2M2 – Type 2 Medium • S1M1 – Type 1 Medium 5. Options <ul style="list-style-type: none"> • D – Dimmable Ballast • P – Photocell |
|--|---|

	LED Modules	No of LEDs	Power Consumption	Typical Flux 5000K	Dims (L x W x D mm)	Weight	Wind Area (m2)
AL6666/30	1	14	33W	2783	502 x 346 x 102	3.4kg	0.07
AL6666/35	1	14	38W	3150	502 x 346 x 102	3.4kg	0.07
AL6666/60	2	28	62W	5566	564 x 346 x 102	4.3kg	0.07
AL6666/70	3	42	73W	5850	626 x 346 x 102	5.3kg	0.07
AL6666/90	3	42	93W	8349	626 x 346 x 102	5.3kg	0.07
AL6666/120	4	56	123W	11132	688 x 346 x 102	6.3kg	0.08
AL6666/150	5	70	155W	13915	750 x 346 x 102	7.3kg	0.08
AL6666/180	6	84	185W	16698	812 x 346 x 102	8.3kg	0.08
AL6666/210	7	98	216W	19473	874 x 346 x 102	9.3kg	0.09
AL6666/240	8	112	246W	22257	936 x 346 x 102	10.3kg	0.10
AL6666/270	9	126	277W	25040	998 x 346 x 102	11.3kg	0.10
AL6666/300	10	140	308W	27823	1060 x 346 x 102	12.3kg	0.11
Colour Rendering	>75						
Power Factor	> 0.95						
Luminaries Efficiency	>85%						
Ambient Environment	Temp: -40~+50°C; Humidity: 10%~95%						
Lifespan	>50000 hrs						
Driver Current	700mA						



Polar curve A3 – Type 3 Long distribution (as standard)