

Tree Condition Survey & Protection: 34 Town Lane, Charlesworth, High Peak.

The proposed development does not require any tree work to be undertaken. The existing trees on the site are to remain. Recent work involving pruning, lopping and crown reduction has been carried out and therefore, as far as we are aware, there is no further maintenance work to be carried out to the trees.

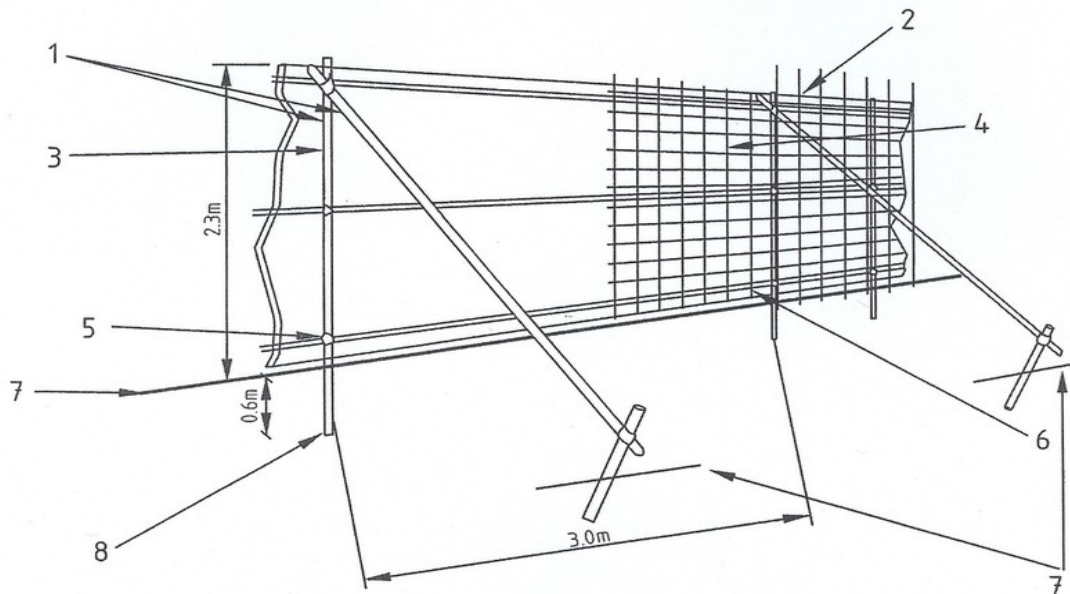
A Root Protection Scheme (RPA) is to be adopted to protect the root system of the existing trees and will remain in force until completion of the works – see plan.

During the development all site construction personnel shall be briefed on, and understand the measures being adopted to protect the trees.

Upon completion of the works, a thorough inspection will be carried out to identify and remedy any accidental damage, and guarantee the long term future of the trees. This will include aeration of compacted soils, mulching and preparation of areas to be landscaped.

New tree planting will be included in the landscaping plan for the site (to be confirmed). New tree species shall be carefully selected to ensure compatibility with the site. Aerial and subterranean space will be considered to accommodate the tree at maturity.

Details of Proposed protective fencing for the Root Protection Area (RPA)



- | | |
|--|--|
| 1 Standard scaffold poles | 5 Standard clamps |
| 2 Uprights to be driven into the ground | 6 Wire twisted and secured on inside face of fencing to avoid easy dismantling |
| 3 Panels secured to uprights with wire ties and, where necessary, standard scaffold clamps | 7 Ground level |
| 4 Weldmesh wired to the uprights and horizontals | 8 Approx. 0.6m driven into the ground |

Existing trees on site to be retained:

T3. Sycamore tree. 17 meters high, 700mm diameter, 6 meter crown spread. approximate age 120 years, average lifespan of 200-300 years, healthy looking tree but has evidence of some rot at base, which may require further investigation.

T15. Purple leaf plumb Cherry tree. 5.5 meters high, 170mm diameter, 1.5-2 meter crown spread, approximate age 10 years, lifespan 20 years, healthy looking

T6. Oak tree. 11 meters high, 600mm diameter, 7 meter crown spread, approximate age 100 years, lifespan 200-300 years, healthy looking

T16. Willow tree. 6 meters high, splits at base into 2 x 225m diameter, 4 meter crown spread, approximate age 30 years, lifespan 50-70 years, healthy looking

T10. Sycamore tree. 16 meters high, 600mm diameter, 6 meter crown spread, approximate age 130 years, lifespan 200-300 years, Part of this tree had died off and has recently been removed. Inspect annually

T17. Plumb tree. 5 meters high, 200mm diameter, 3.5 meter crown spread, approximate age 90 years, lifespan 100 years, poor-average condition

T18. Apple tree. 5.5 meters high, 250mm diameter, 2.5 meter crown spread, approximate age 90 years, lifespan 100 years, poor-average condition

T19. Apple tree. 5.5 meters high, splits at base into 3 x 150mm diameter, 2.8 meter crown spread, approximate age 90 years, lifespan 100 years, poor-average condition

T20. Apple tree. 5.5 meters high, 150mm diameter, 2 meter crown spread, approximate age 90 years, lifespan 100 years, poor-average condition

T21. Apple tree. 5.5 meters high, 200mm diameter, 2 meter crown spread, approximate age 90 years, lifespan 100 years, poor-average condition.